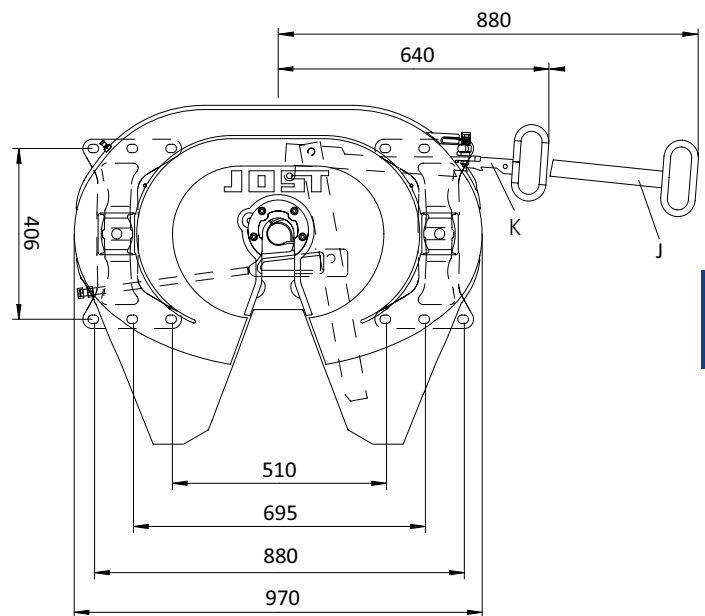
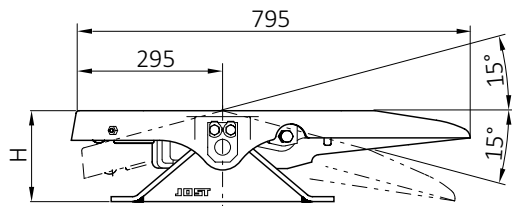


Fifth wheel couplings · JSK 37 E / EW

Advantages at a glance

- Robust 2" cast fifth wheel coupling
- Low-maintenance with plastic top plate liner and a lubricating point for the lock



Selection table / Versions available

Order No.	H (mm)	D value (kN)	Imposed load U (t)	Weight (kg)	Approval (ECE)	WA	ZL
JSK 37 E150	150	152	20	135	E1 55R-01 0294	Z	K
JSK 37 E150 W	150	152	20	135	E1 55R-01 0294	W	K
JSK 37 E150 J	150	152	20	135	E1 55R-01 0294	Z	J
JSK 37 E150 WJ	150	152	20	135	E1 55R-01 0294	W	J
JSK 37 E185	185	152	20	140	E1 55R-01 0294	Z	K
JSK 37 E185 W	185	152	20	140	E1 55R-01 0294	W	K
JSK 37 E185 J	185	152	20	140	E1 55R-01 0294	Z	J
JSK 37 E185 WJ	185	152	20	140	E1 55R-01 0294	W	J
JSK 37 E205	205	152	20	141	E1 55R-01 0294	Z	K
JSK 37 E205 W	205	152	20	141	E1 55R-01 0294	W	K
JSK 37 E205 J	205	152	20	141	E1 55R-01 0294	Z	J
JSK 37 E205 WJ	205	152	20	141	E1 55R-01 0294	W	J

Explanatory notes for the selection tables please refer to page 15.

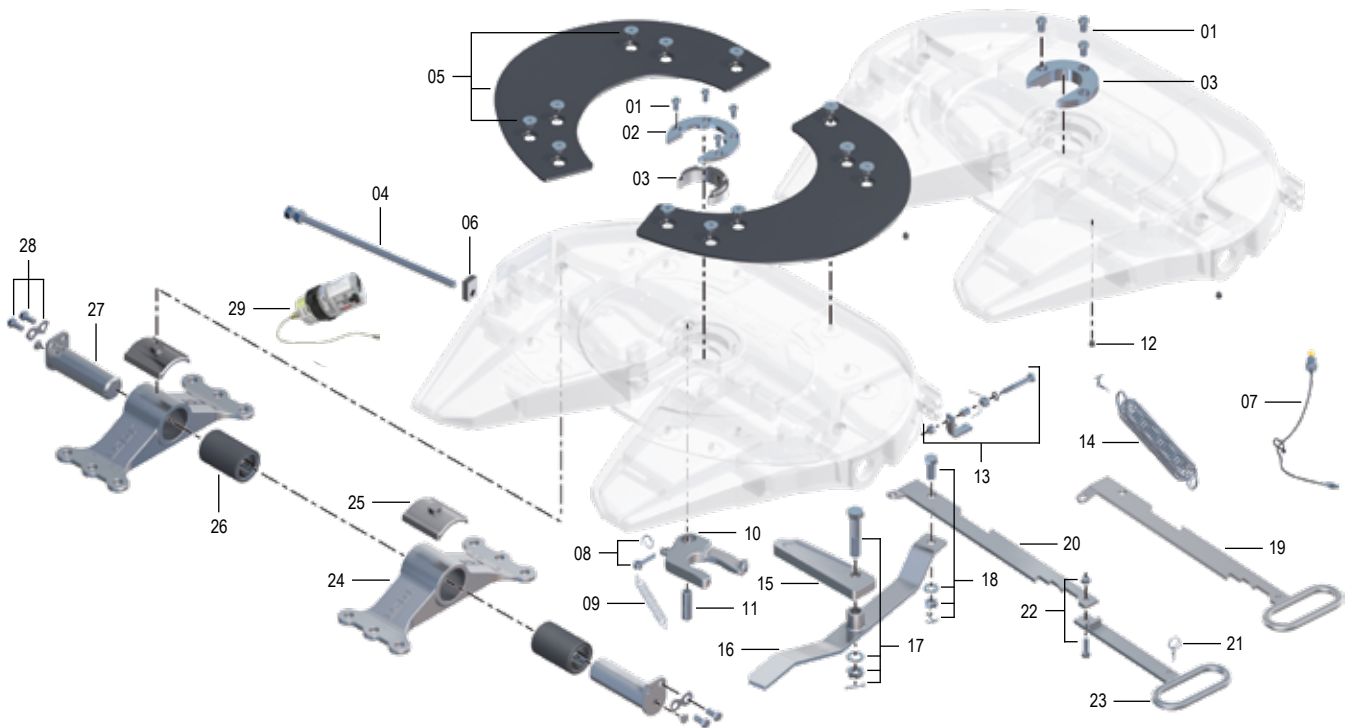
available with



Technical Specification

Suitable for 2" king pins (class G50) as per ECE R55-01, DIN 74080, ISO 337 and steering wedges as per ECE R55-01, DIN 74085.

JSK 37 E / EW



Spare parts

Item	Description	Remark	Order No.	per JSK	Item	Description	Remark	Order No.	per JSK
01	Socket head bolt	up to xx31xxxxxx	SK 2121-07	3	16	Lever	for JSK DH	SKE500350001	1
01	Socket head bolt	from xx34xxxxxx	SK 3121-55	4	16	Lever		SK 3105-18	1
02	Mounting ring	from xx34xxxxxx	SK 3105-94	1	17	Bar bolt	compl.	SK 3221-01	1
03	Wearing ring	up to xx31xxxxxx	SK 2121-51	1	18	Hexagon bolt	compl.	SK 1513	1
03	Wearing part + mount. bolt	from xx34xxxxxx	SKE001740020	1	19	Short handle	for type K	SK 3105-15	1
04	Adjusting screw	from xx31xxxxxx	SKE500740220	1	20	Locking bar	for type J	SK 3105-115	1
04	Adjusting screw	up to xx28xxxxxx	SK 3105-150	1	21	Latch cord	compl. for type J	SK 3521-02	1
05	Plastic top plate liner		SK 3106-003	1	22	Hexagon bolt	compl. for type J	SK 2421-50	1
06	Guide		SK 3205-07	1	23	Long handle	for type J + 16	SK 3105-113	1
o2	Lubrication tube	up to xx31xxxxxx	SK 1989	1	24	Pedestal BH 150 (ISO)		SKE501530001	2
o2	Nut and bolt		SK 1976	1	24	Pedestal BH 172 (ISO)		SKE501540001	2
07	Lubrication line	compl. with cable tie	SK 3108-02	1	24	Pedestal BH 185 (ISO)		SKE501550001	2
08	Eye bolt	compl.	SK 2122-04	1	24	Pedestal BH 205 (ISO)		SK 2904-105	2
09	Tension spring		SK 847	1	24	Pedestal BH 225 (ISO)		SKE011880000	2
10	Lock jaw	with 07, 09, 11	SK 3221-52 Z	1	25	Collar		SK 3105-95	2
11	Bolt		SK 2106-67	1	26	Rubber bushing	compl.	SK 2905-94	2
12	Threaded stopper		000.010.021	1	27	Pivot pin	with plug	SK 3104-05	2
13	Latch	compl.	SKE003121520	1	28	Hexagon bolts	compl.	SK 3121-071	2
14	Double tension spring		SK 3105-20	1	29	LubeTronic 1Point, Kit	with 01, 02, 09, 10, 11, 12	SKE014150000	1
15	Locking bolt		SK 3205-06	1					

Repair and retrofit kits

Item	Description	Order No.	Item	Description	Order No.
01, 03, 07, 09, 10, 11	Repair kit for lock up to xx31xxxxxx	SK 3221-50 Z	25, 26, 27, 28	Repair kit for bearing from xx31xxxxxx	SK 3121-61
01, 03, 07, 09, 10, 11, 18	Repair kit for lock up to xx31xxxxxx	SK 3121-56 Z	o2, 21, 22	Retrofit kit handle extension compl. for type C/CZ	SK 3121-063
01, 02, 03, 07, 09, 10, 11	Repair kit for lock from xx34xxxxxx	SK 3121-60 Z	01, 03, 07, 09, 10, 11, 15, 17, 18	Repair kit for lock up to xx31xxxxxx	SK 3121-072 Z
26, 27, 28	Repair kit for bearing up to xx28xxxxxx	SK 3121-58	01, 02, 03, 09, 10, 11, 29	LubeTronic 1Point, kit	SKE014150000