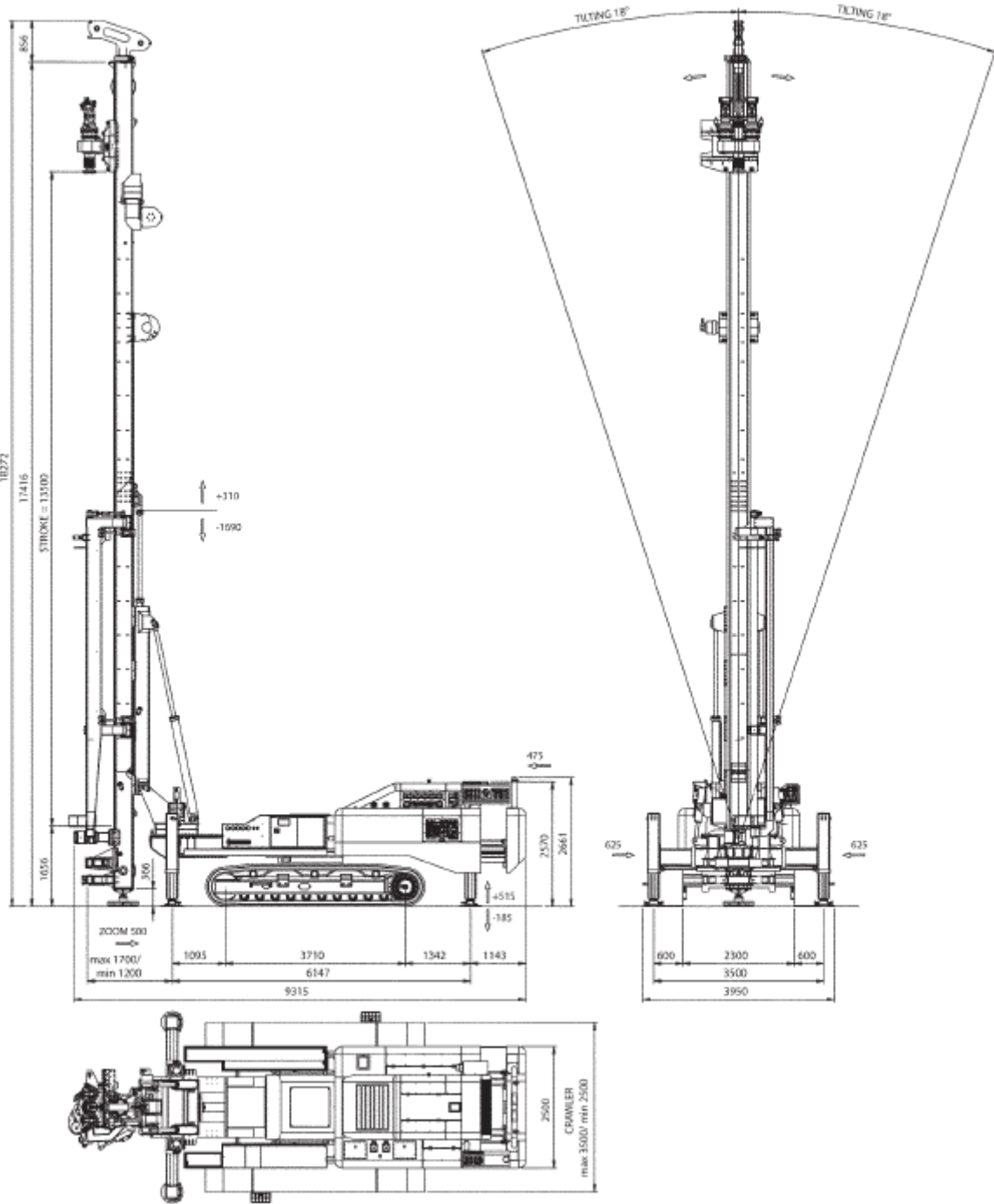
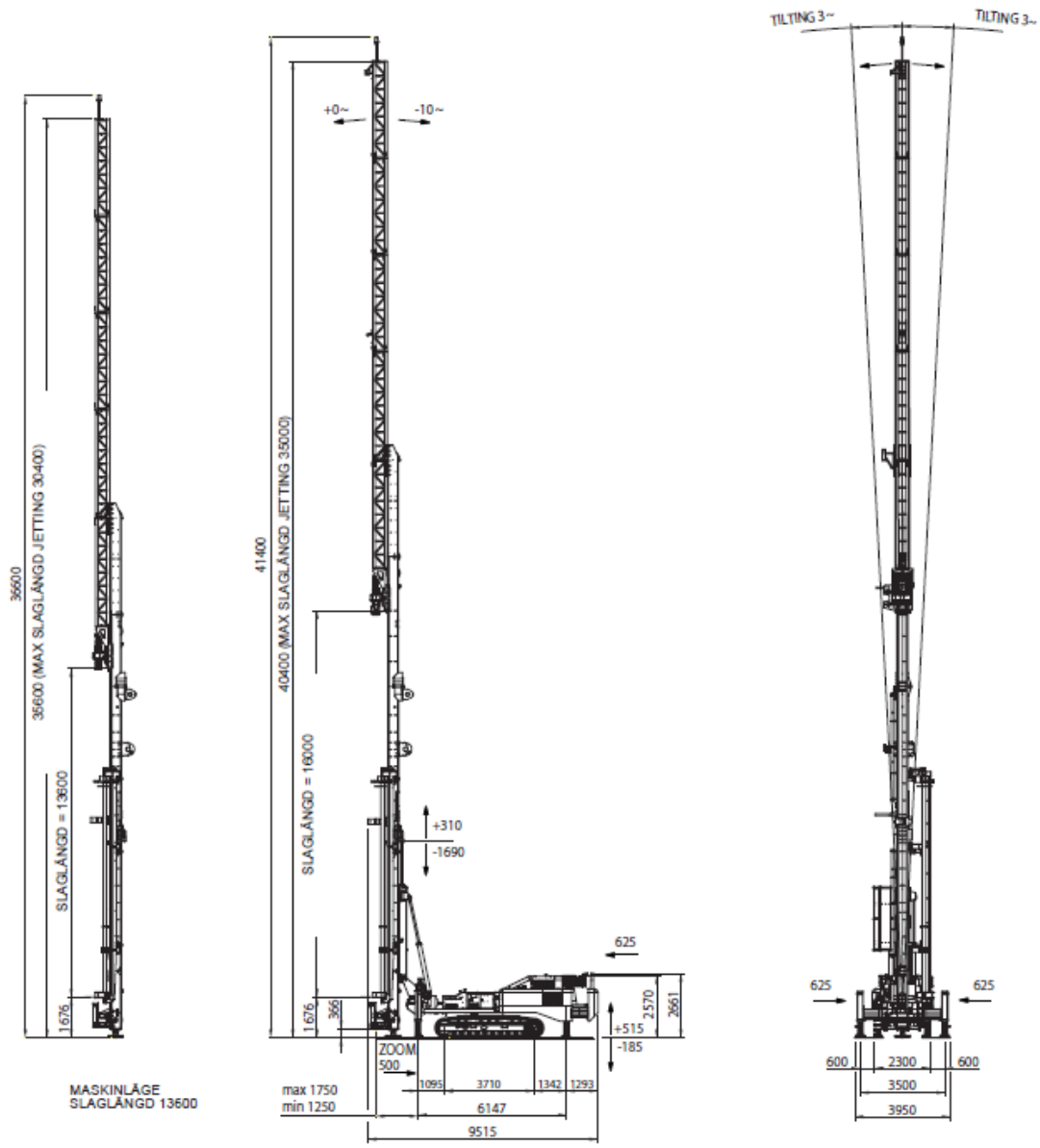


Drilling rig for sale: Soilmec SM-28, 001A SN 517, year 2011.
Cummins QSB 6,7 201 kW, EU stage IIIB, 10 808 hours
Weight 38 500kg, length 17 m, width 250 cm, height 399 cm
Hoist and Crowd force 140 kN, max stroke 13,5 m.
Jetting leader with Jean Lutz LT-3, single stroke max 35 m.
Clamp table 60 -430 mm. Lower tool guide DTH 700 mm
Rotary HR29 torque 2900 daNm, inner rod passage 130 mm.
Pre-arrangement kit for top hammer.









Drilling rig for sale_SM28.docx





Drilling rig for sale_SM28.docx









Drilling rig for sale_SM28.docx