

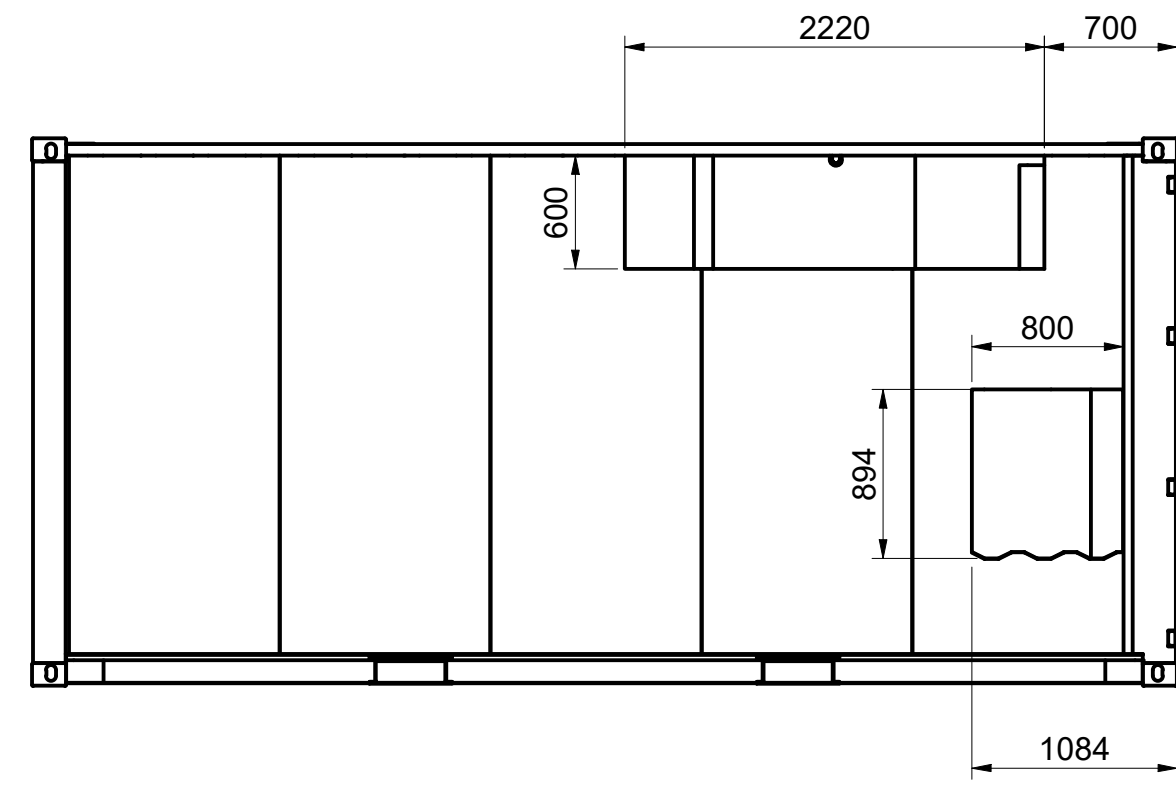
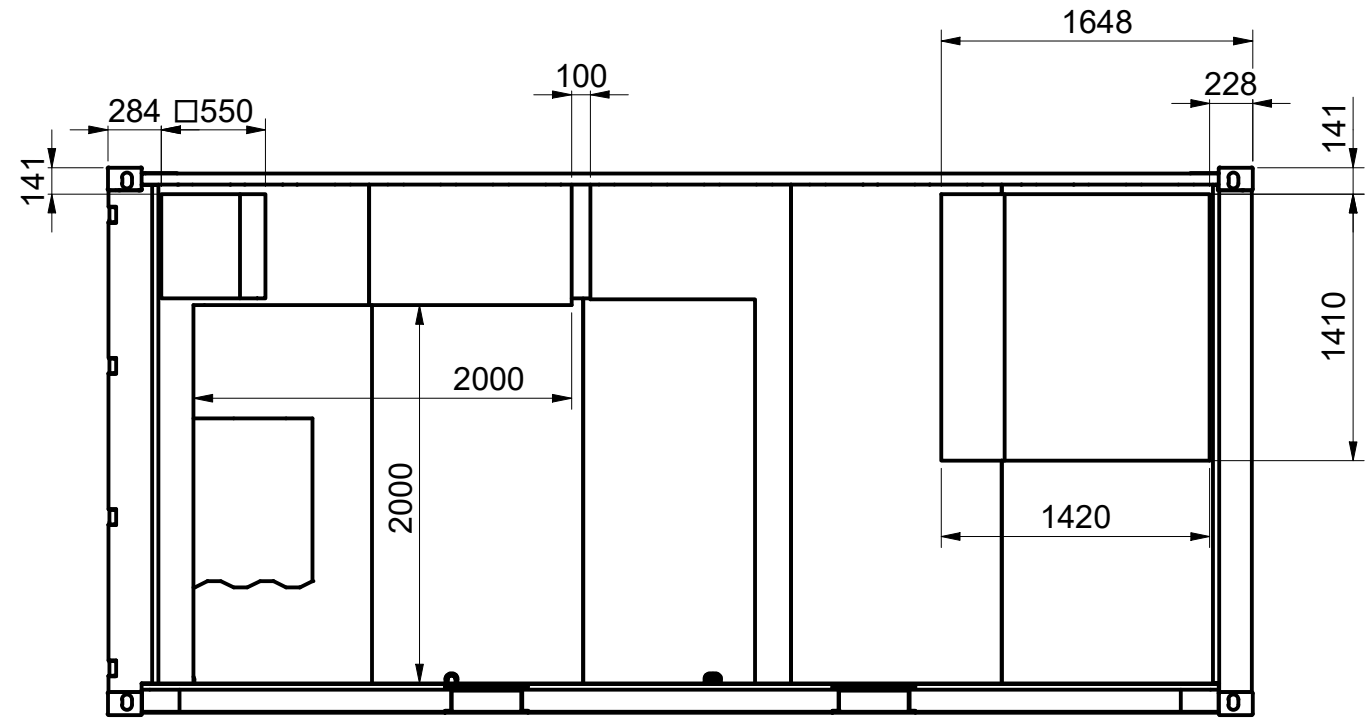
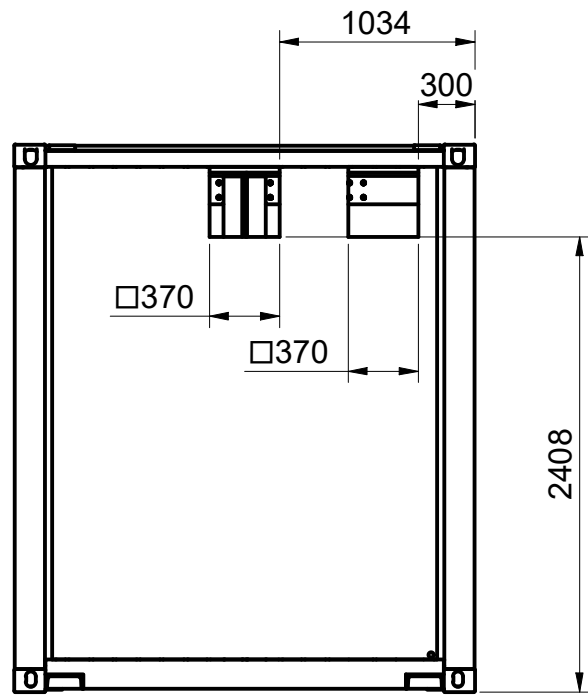
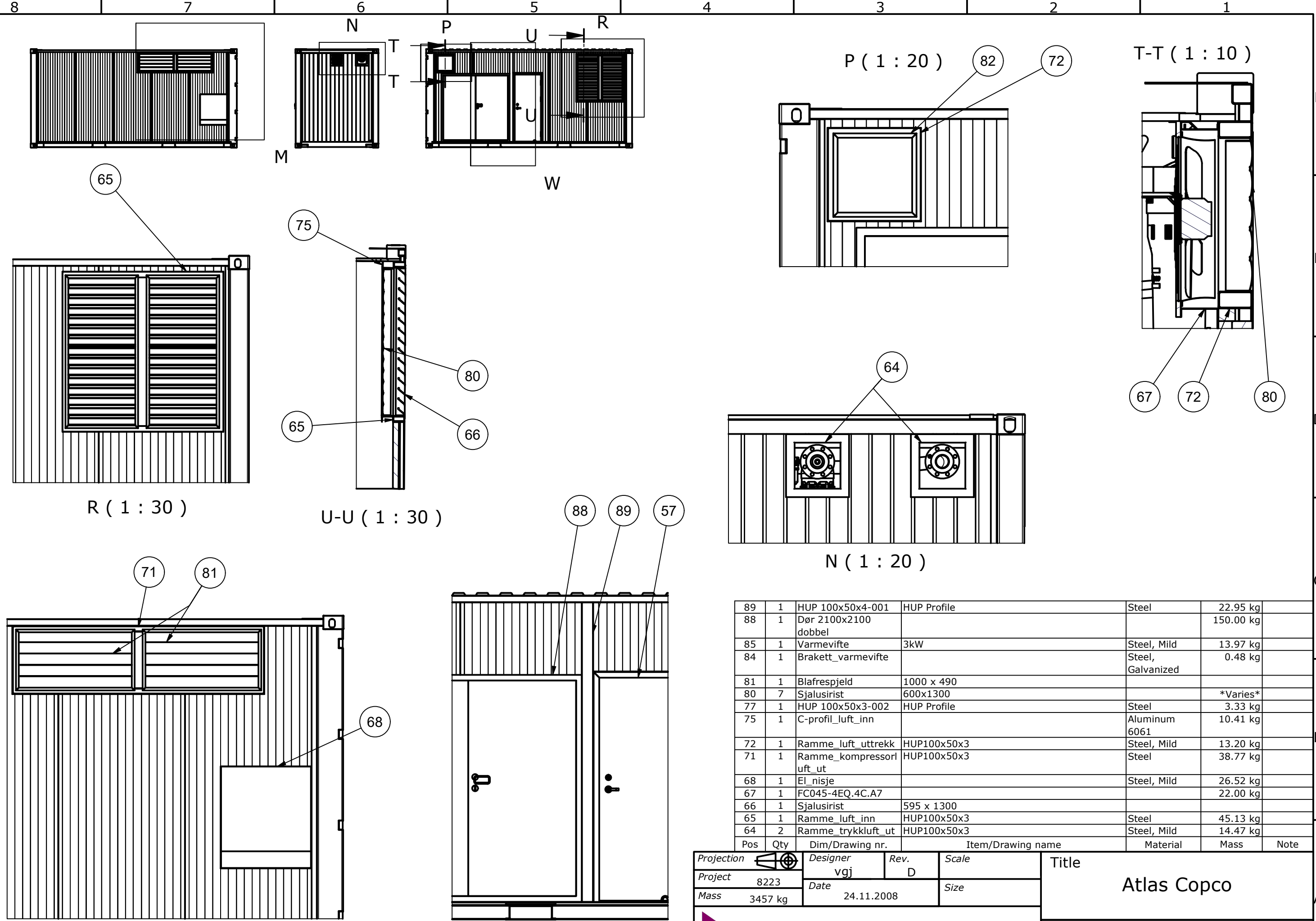




Projection 	Designer vgj	Rev. D	Scale	Title  Atlas Copco
Project 8223	Date 24.11.2008	Size	Description	
Mass 3457 kg				
 <b>BNS</b> Fremtiden er i boks				Sheet 1/9    Dimension mm    DO NOT SCALE



Projection		Designer	vgj	Rev.	D	Scale	1:40	Title	Atlas Copco	
Project	8223	Date	24.11.2008	Size	A3	Description				
Mass	N/A								Utkapp	
Sheet		2/9	Dimension		mm	DO NOT SCALE				

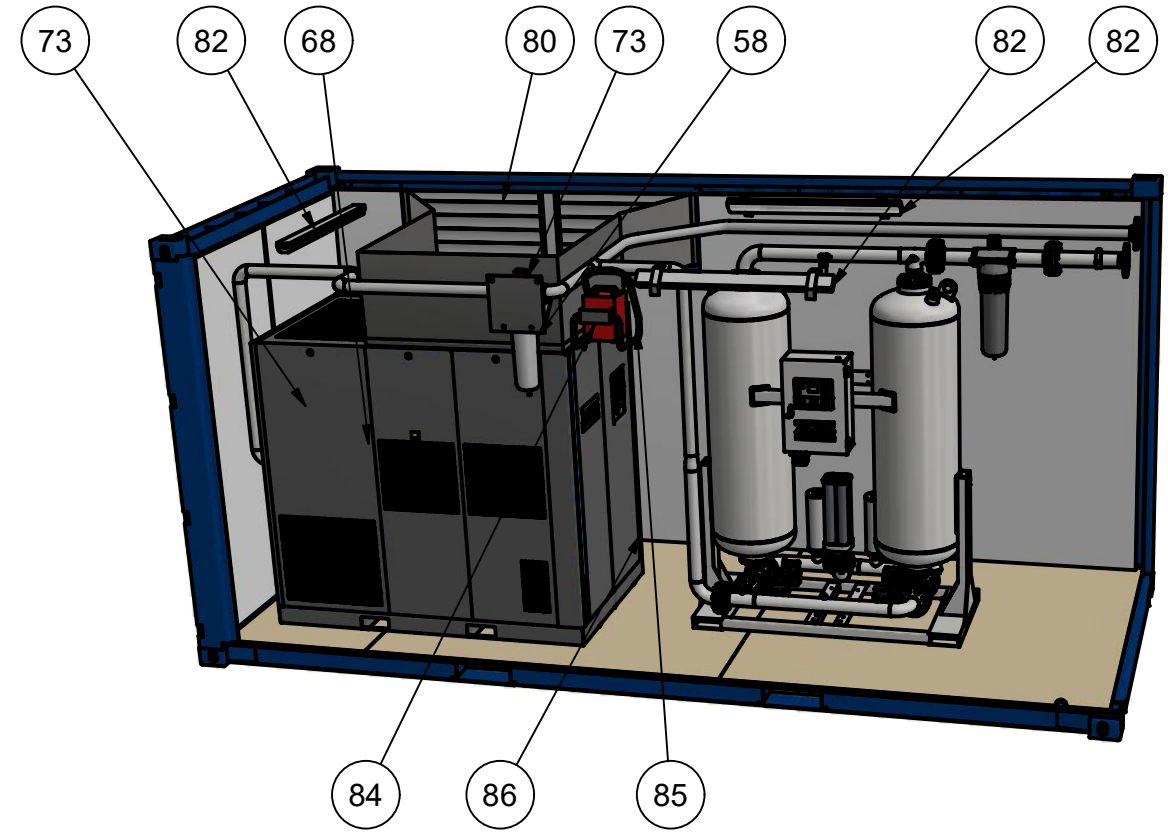
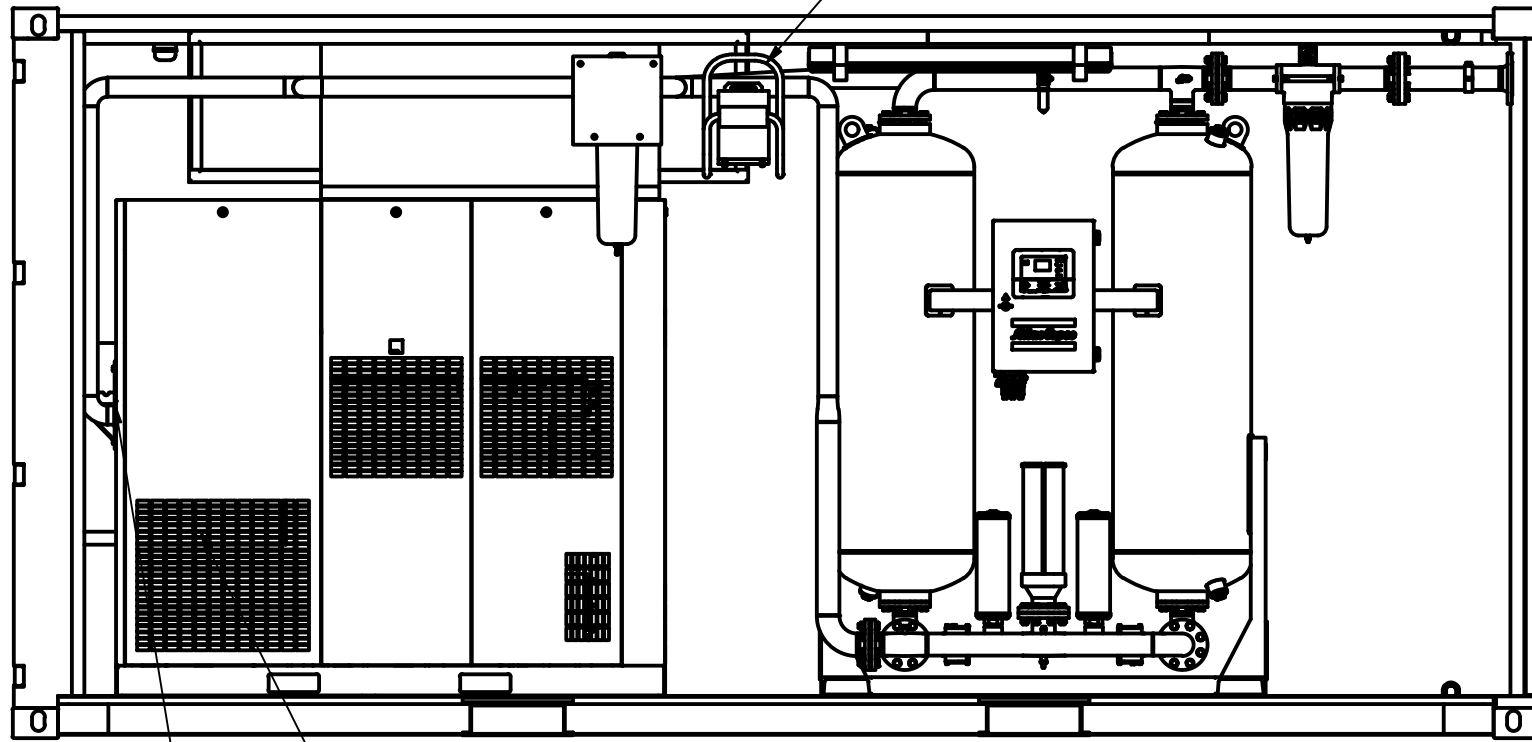


Pos	Qty	Dim/Drawing nr.	Item/Drawing name	Material	Mass	Note
89	1	HUP 100x50x4-001	HUP Profile	Steel	22.95 kg	
88	1	Dør 2100x2100 dobbel			150.00 kg	
85	1	Varmevifte	3kW	Steel, Mild	13.97 kg	
84	1	Brakett_varmefifte		Steel, Galvanized	0.48 kg	
81	1	Blafrespjeld	1000 x 490			
80	7	Sjalusirist	600x1300			*Varies*
77	1	HUP 100x50x3-002	HUP Profile	Steel	3.33 kg	
75	1	C-profil_luft_inn		Aluminum 6061	10.41 kg	
72	1	Ramme_luft_uttrekk	HUP100x50x3	Steel, Mild	13.20 kg	
71	1	Ramme_kompressorl uft_ut	HUP100x50x3	Steel	38.77 kg	
68	1	El_nisje		Steel, Mild	26.52 kg	
67	1	FC045-4EQ.4C.A7			22.00 kg	
66	1	Sjalusirist	595 x 1300			
65	1	Ramme_luft_inn	HUP100x50x3	Steel	45.13 kg	
64	2	Ramme_trykkluft_ut	HUP100x50x3	Steel, Mild	14.47 kg	

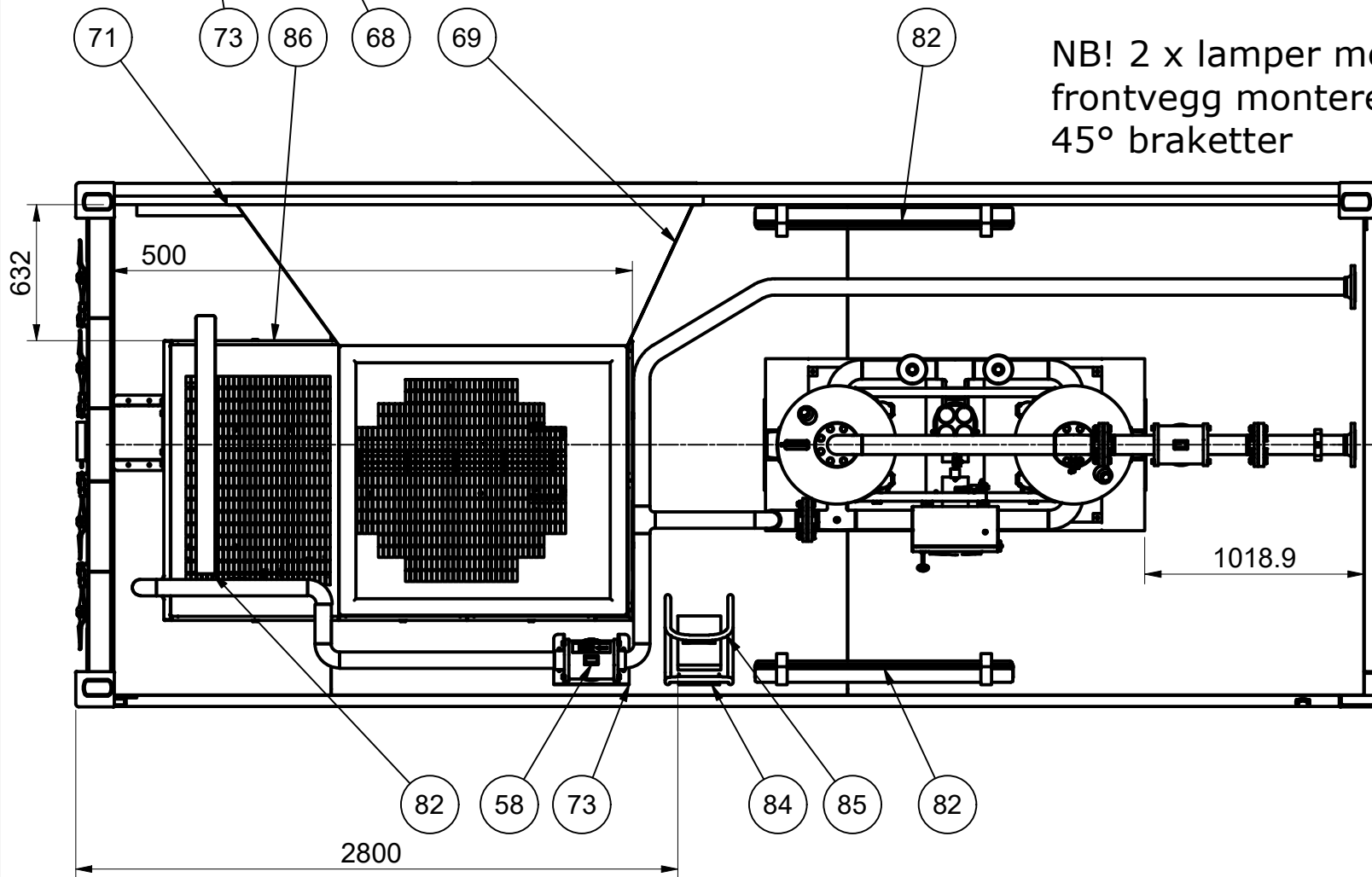
Projection	Designer vgj	Rev. D	Scale	Title <b>Atlas Copco</b>
Project 8223	Date 24.11.2008	Size	Description <b>Montering ventilasjon</b>	
Mass 3457 kg			Sheet 3/9    Dimension mm    DO NOT SCALE	

**BNS**  
Fremtiden er i boks

Varmevifte plasseres så høyt som mulig.



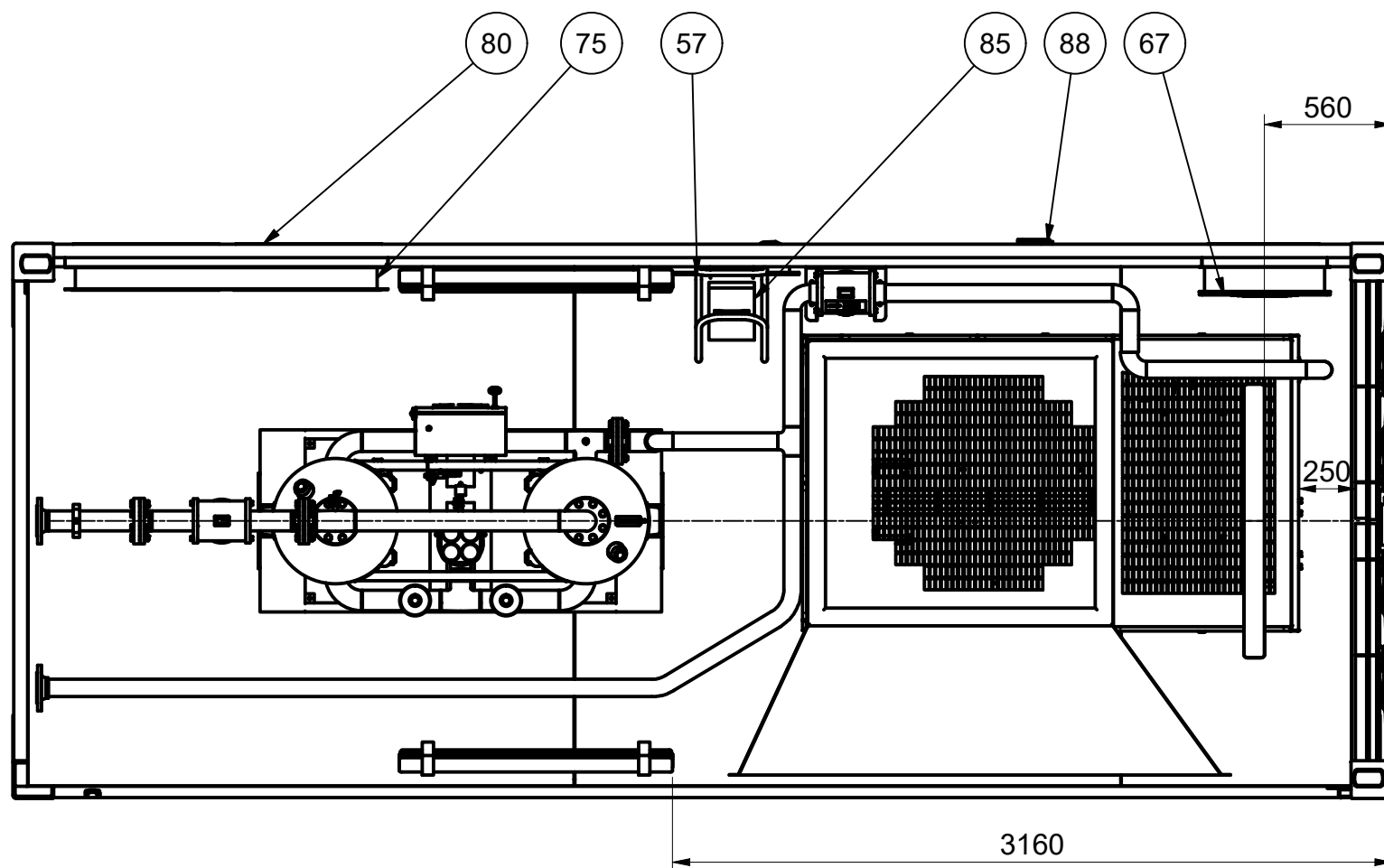
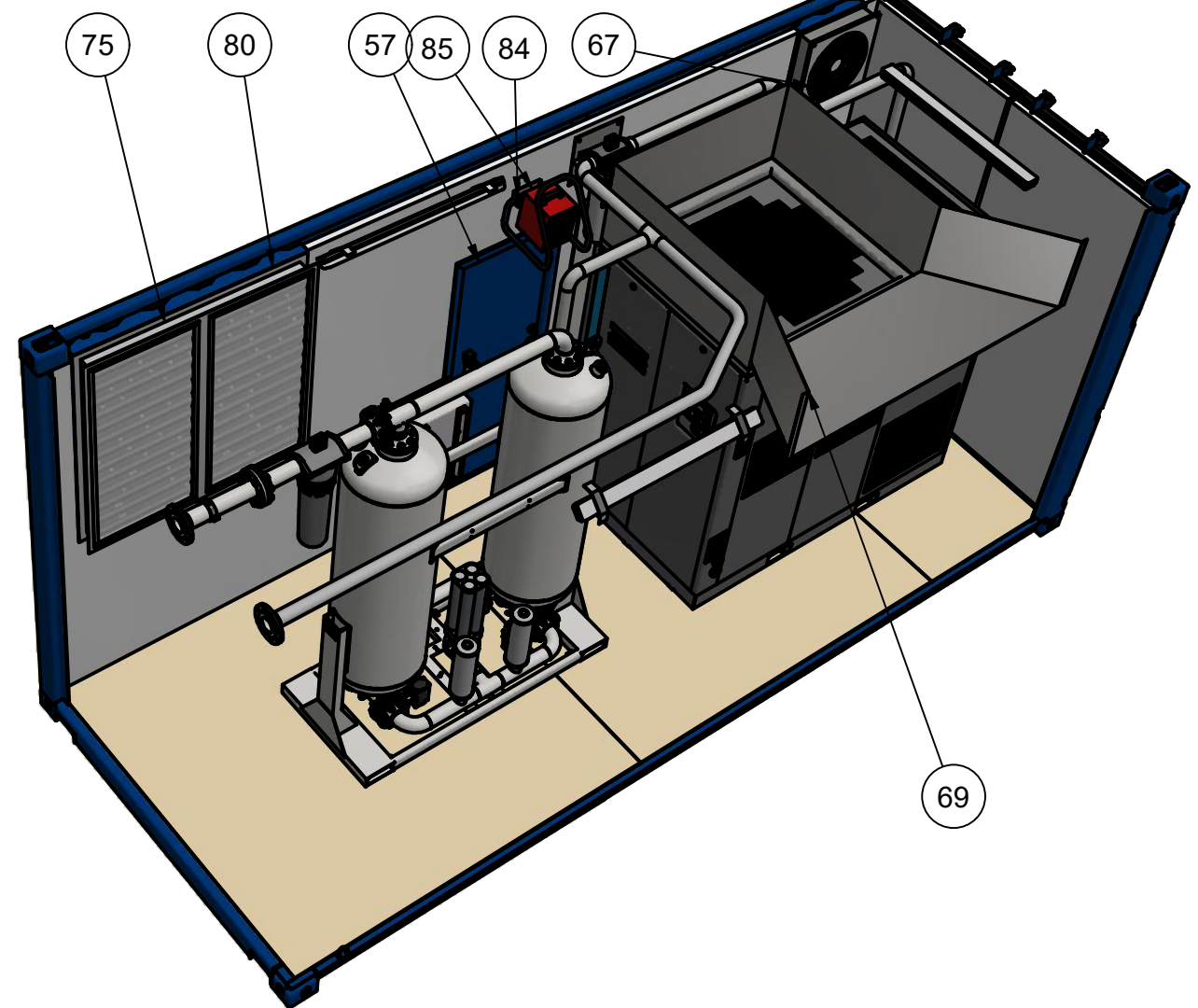
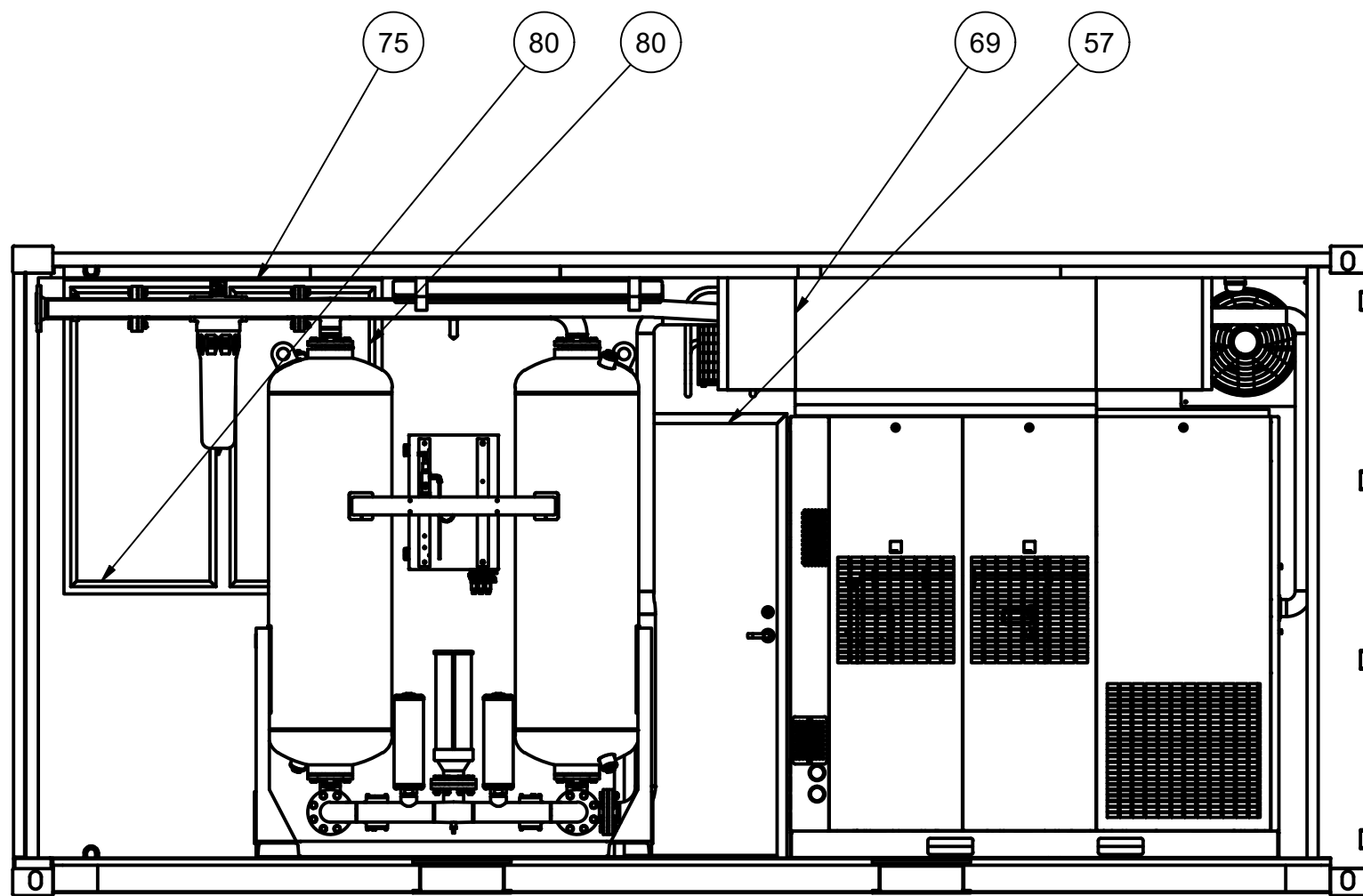
NB! 2 x lamper mot frontvegg monteres med 45° braketter



Pos	Qty	Dim/Drawing nr.	Item/Drawing name	Material	Mass	Note
102	1		Rør_forgrening	Generic	1.87 kg	
101	1		DN flange	Generic	0.50 kg	
100	1		Tørke	Generic	111.02 kg	
86	1		GA_75_110_VSD		110.80 kg	
85	1		Varmevifte	3kW	13.97 kg	Steel, Mild
84	1		Brakett_varmefifte		0.48 kg	Steel, Galvanized
82	3		Lys_LED		10.71 kg	
75	1		C-profil_luft_inn	Aluminum 6061	10.41 kg	
73	2		Oppheng_filter	Steel, Mild	7.13 kg	
72	1		Ramme_luft_uttrekk	HUP100x50x3	13.20 kg	Steel, Mild
71	1		Ramme_kompressorluft_ut	HUP100x50x3	38.77 kg	Steel
69	1		Nisje_luft_ut_kompressor	Steel, Mild	73.83 kg	
68	1		El_nisje	Steel, Mild	26.52 kg	
80	7		Sjalusirist	600x1300	*Varies*	
58	1		Filter_tørke	Generic	14.64 kg	

Projection		Designer	vgj	Rev.	D	Scale		Title <b>Atlas Copco</b>
Project	8223	Date	24.11.2008	Size				
Mass	N/A							
Description <b>Invendig plassering</b>								Sheet 4/9    Dimension mm    DO NOT SCALE

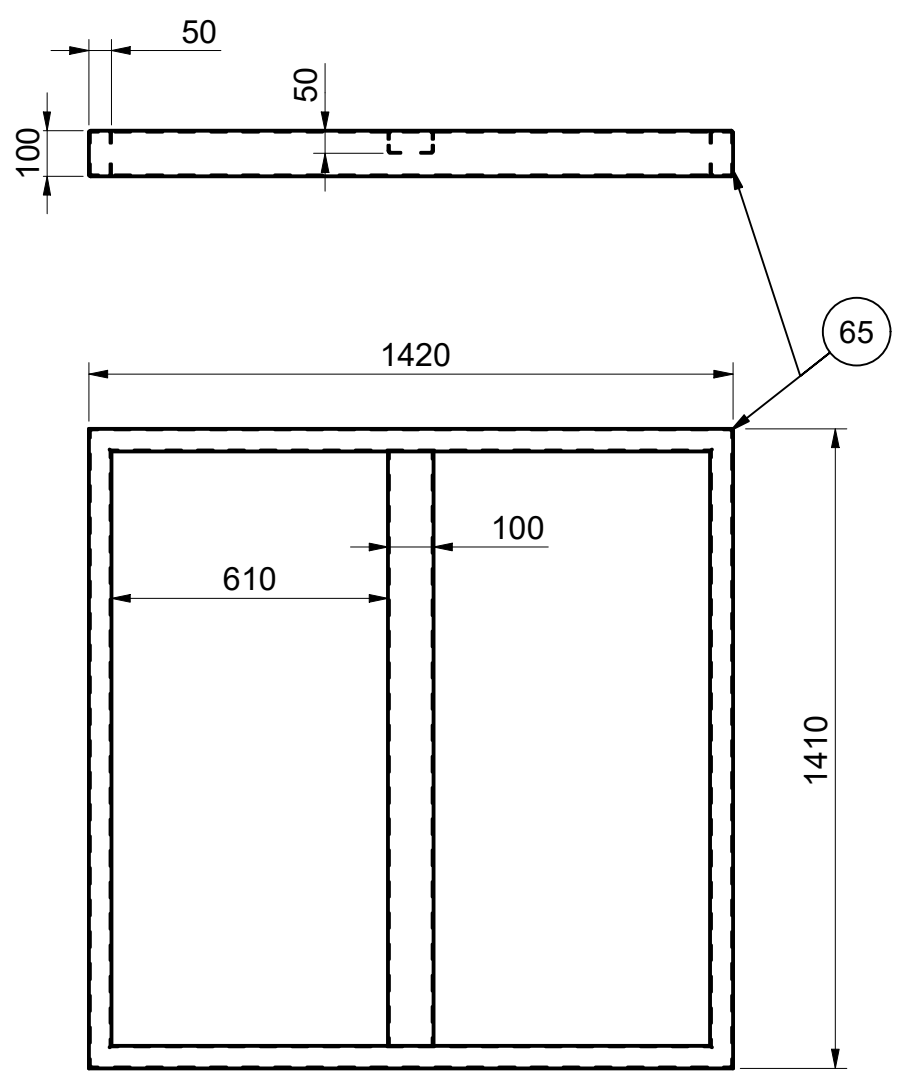
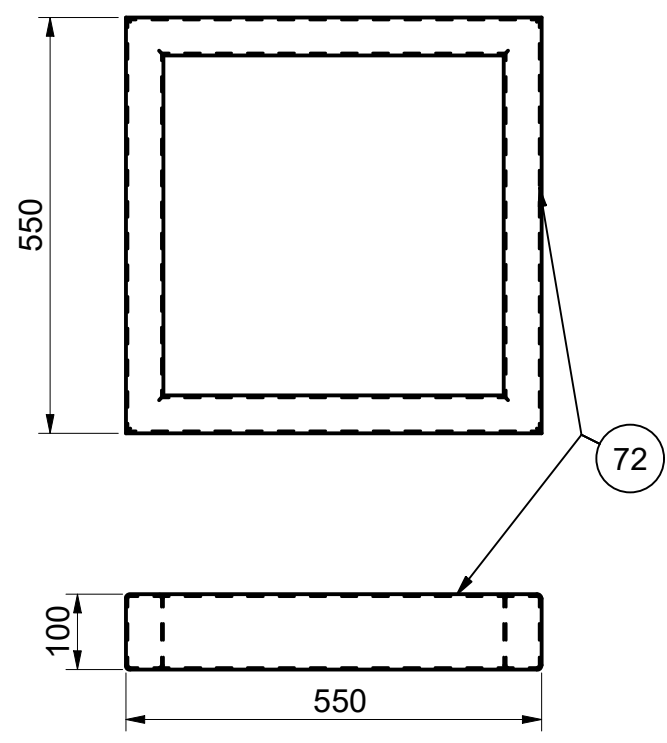
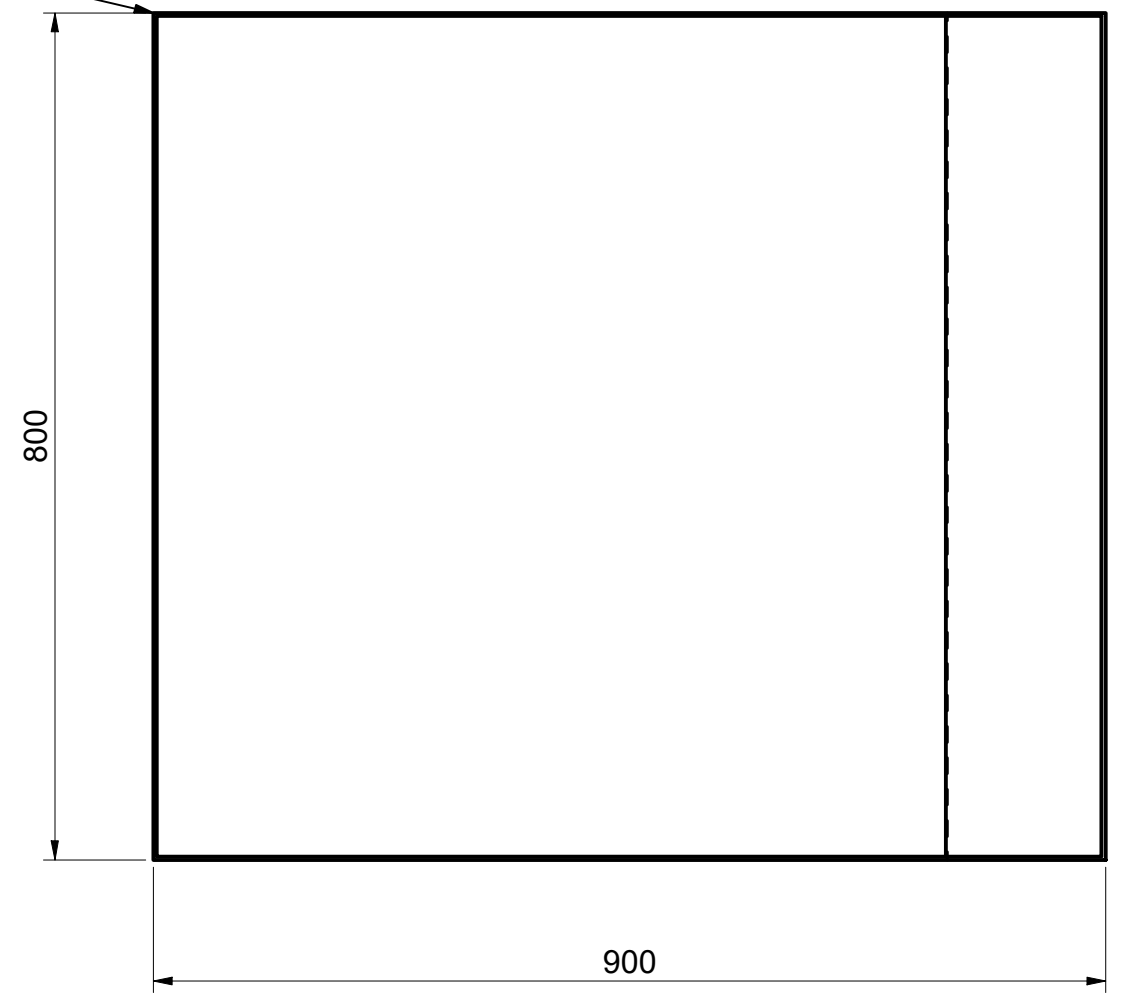
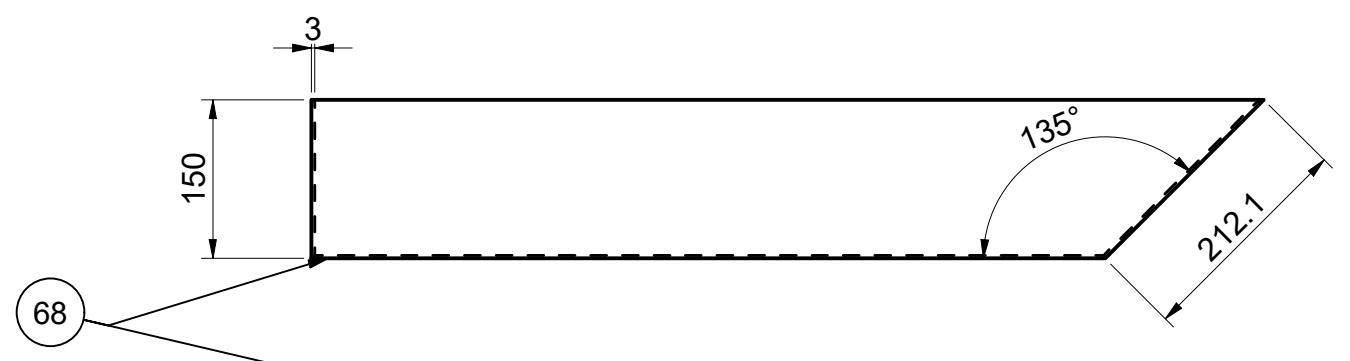
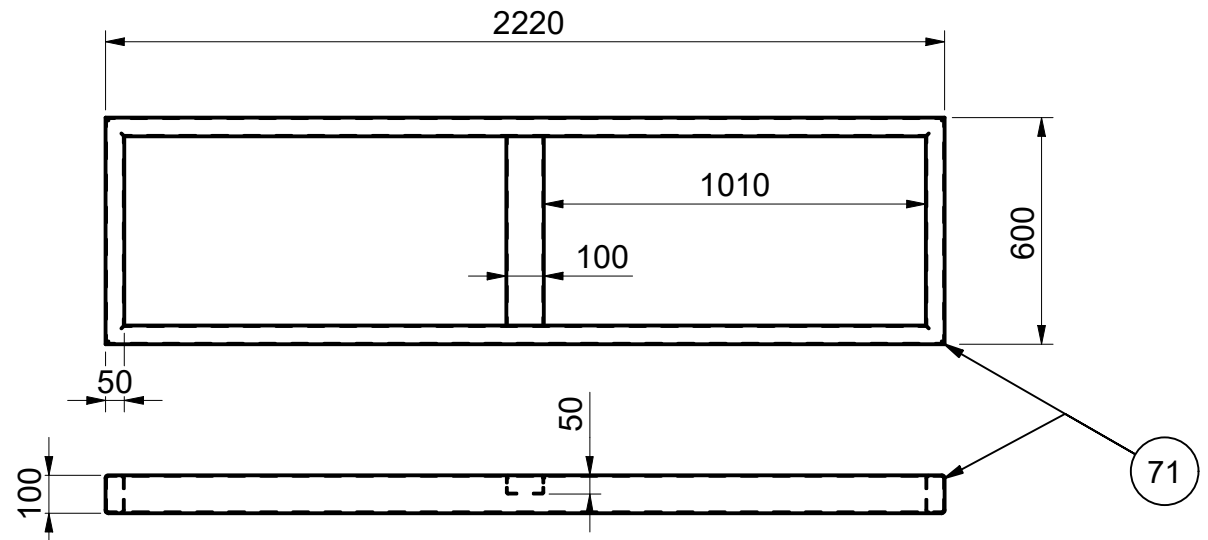




Pos	Qty	Dim/Drawing nr.	Item/Drawing name	Material	Mass	Note
100	1		Tørke	Generic	111.02 kg	
88	1		Dør 2100x2100 dobbel		150.00 kg	
86	1		GA_75_110_VSD		110.80 kg	
85	1		Varmefifte 3kW	Steel, Mild	13.97 kg	
84	1		Brakett varmefifte	Steel, Galvanized	0.48 kg	
83	2		Lys_vinkelbrakett_MIR	Aluminum 6061	0.10 kg	
82	1		Lys_LED		1.01 kg	
81	2		Lys_vinkelbrakett	Aluminum 6061	0.10 kg	
82	3		Lys_LED		10.71 kg	
66	1		Sjalusirist 595 x 1300			
81	1		Blafrespjeld 1000 x 490			
80	1		Blafrespjeld 600x1290			
75	1		C-profil luft inn	Aluminum 6061	10.41 kg	
73	2		Oppheng filter	Steel, Mild	7.13 kg	
72	1		Ramme_luft_uttrekk HUP100x50x3	Steel, Mild	13.20 kg	
71	1		Ramme_kompressorluft_utt HUP100x50x3	Steel	38.77 kg	
67	1		FC045-4EQ.4C.A7		22.00 kg	
80	7		Sjalusirist 600x1300		*Varies*	
65	1		Ramme_luft_inn HUP100x50x3	Steel	45.13 kg	
58	1		Filter tørke	Generic	14.64 kg	
57	1		Dør 800HH		64.62 kg	

Projection		Designer	vgj	Rev.	D	Scale		Title <b>Atlas Copco</b>
Project	8223	Date	24.11.2008	Size				
Mass	N/A							
Description <b>Invendig plassering 2</b>								Sheet 5/9    Dimension mm    DO NOT SCALE
<b>BNS</b> Fremtiden er i boks								

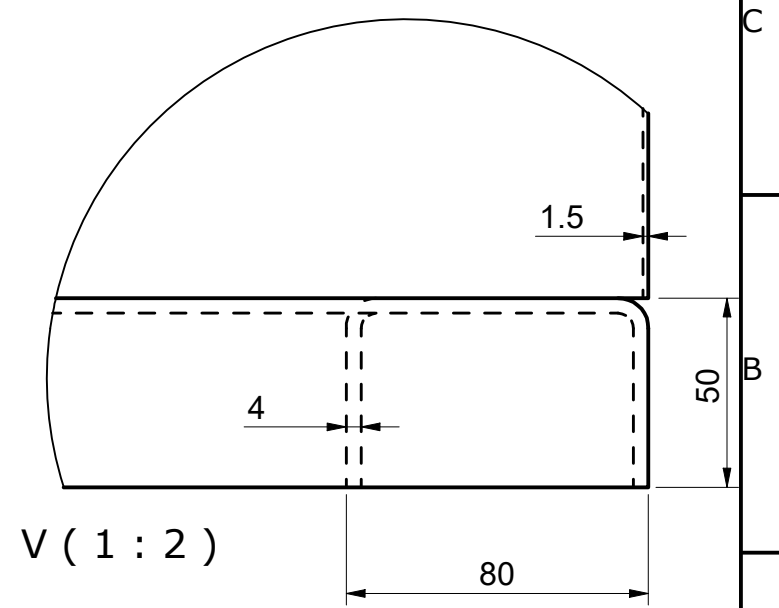
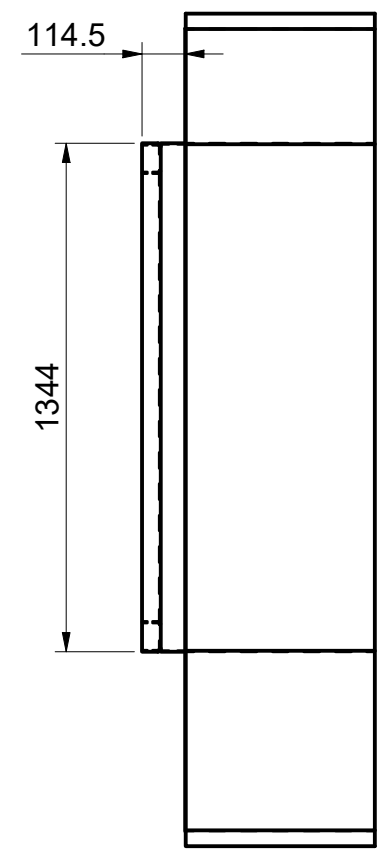
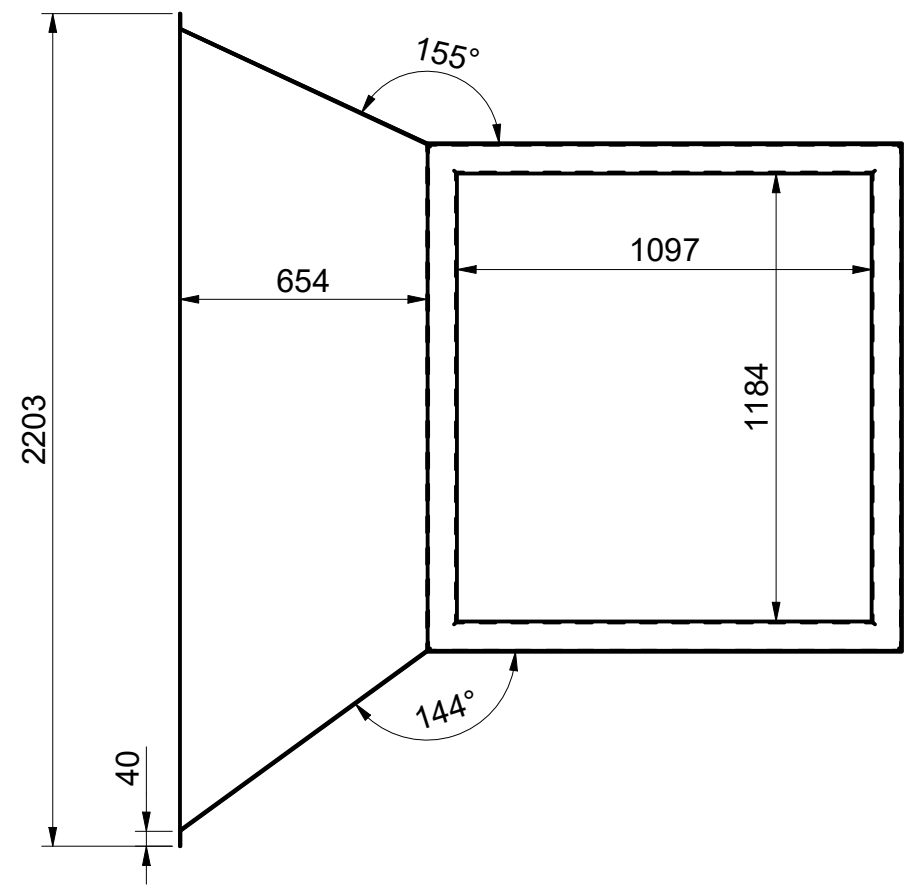
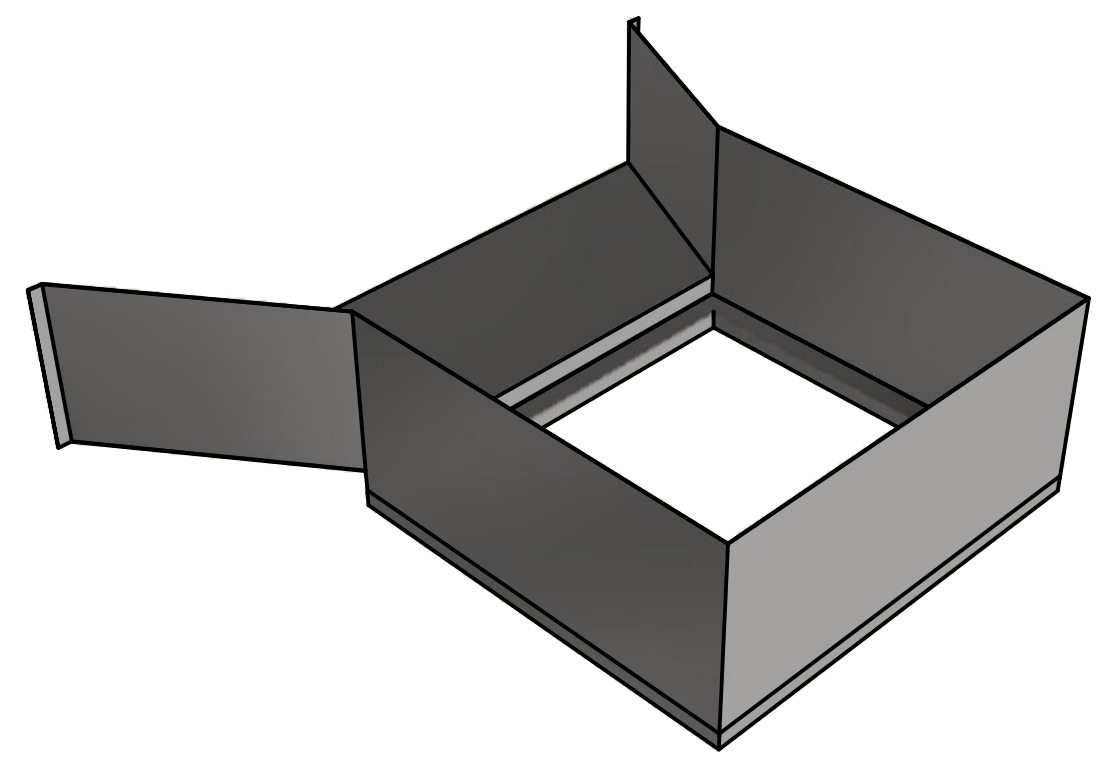
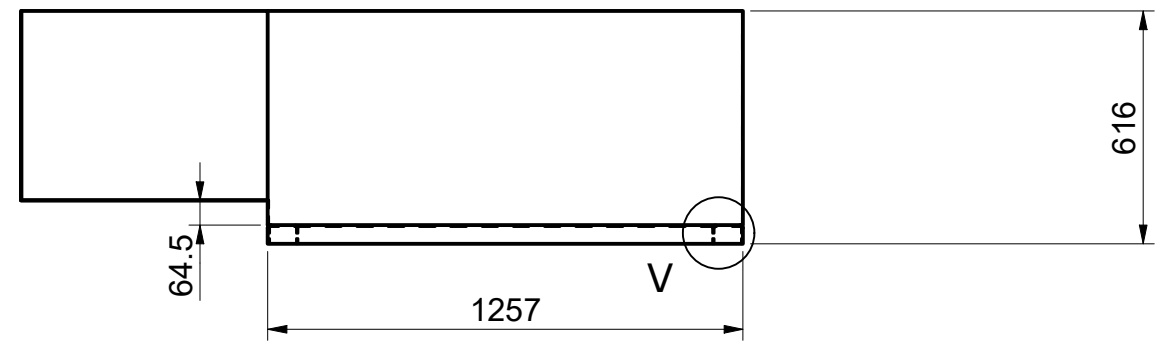
8 7 6 5 4 3 2 1



Projection		Designer	Rev.	Scale	Title
Project		vegardj	D		
Mass	39 kg	Date	12.11.2019	Size	
Description					A
Rammer					
Sheet	6/9	Dimension	mm	DO NOT SCALE	

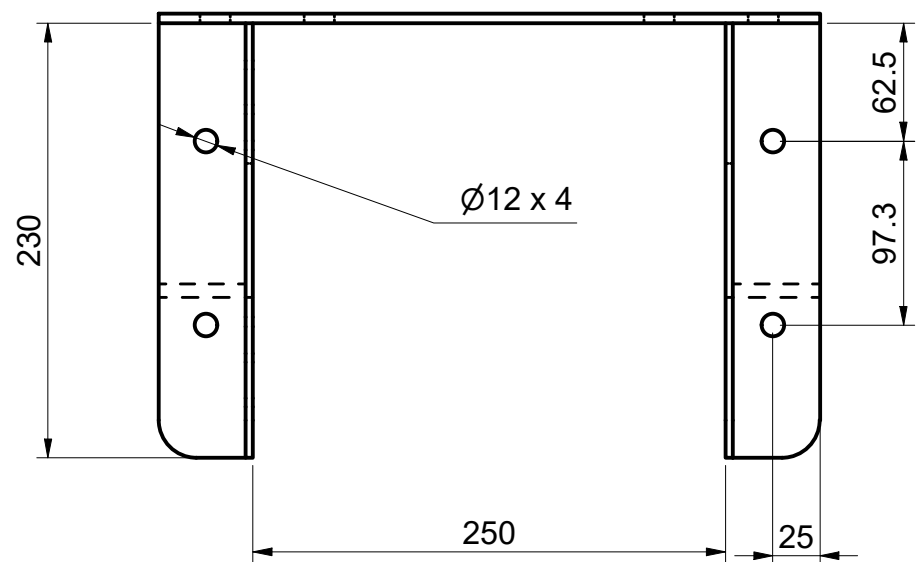
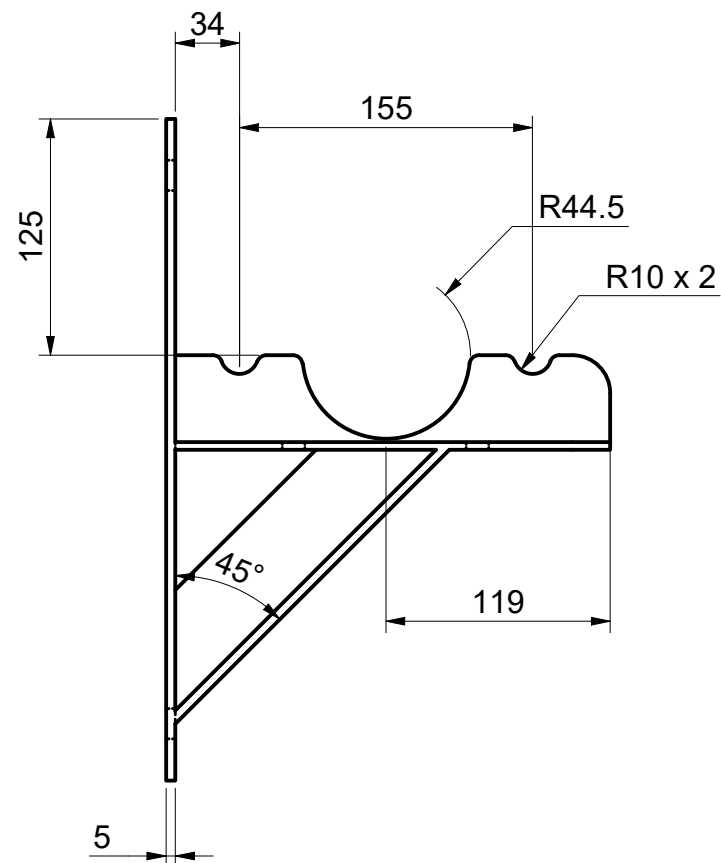
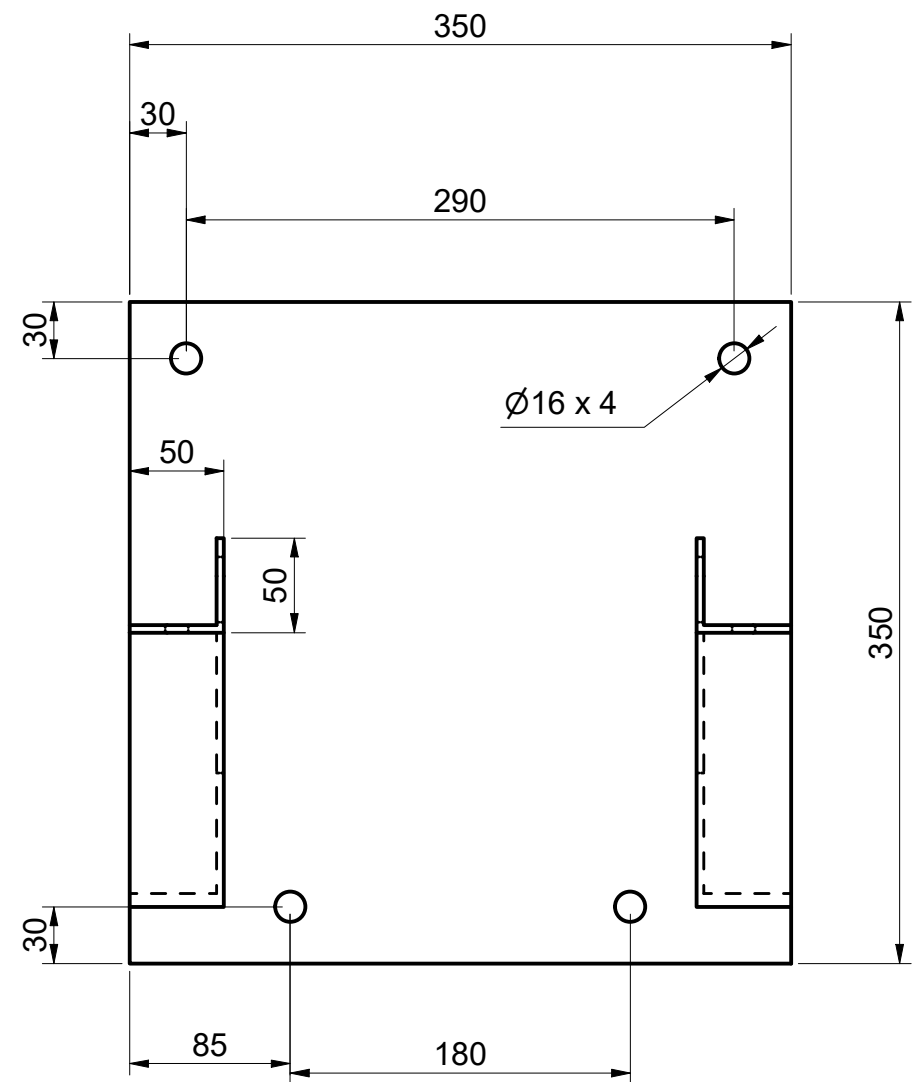


8 7 6 5 4 3 2 1

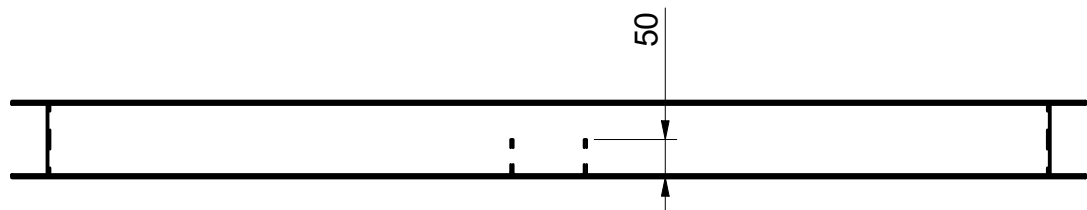
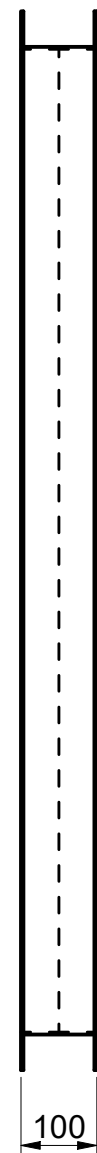
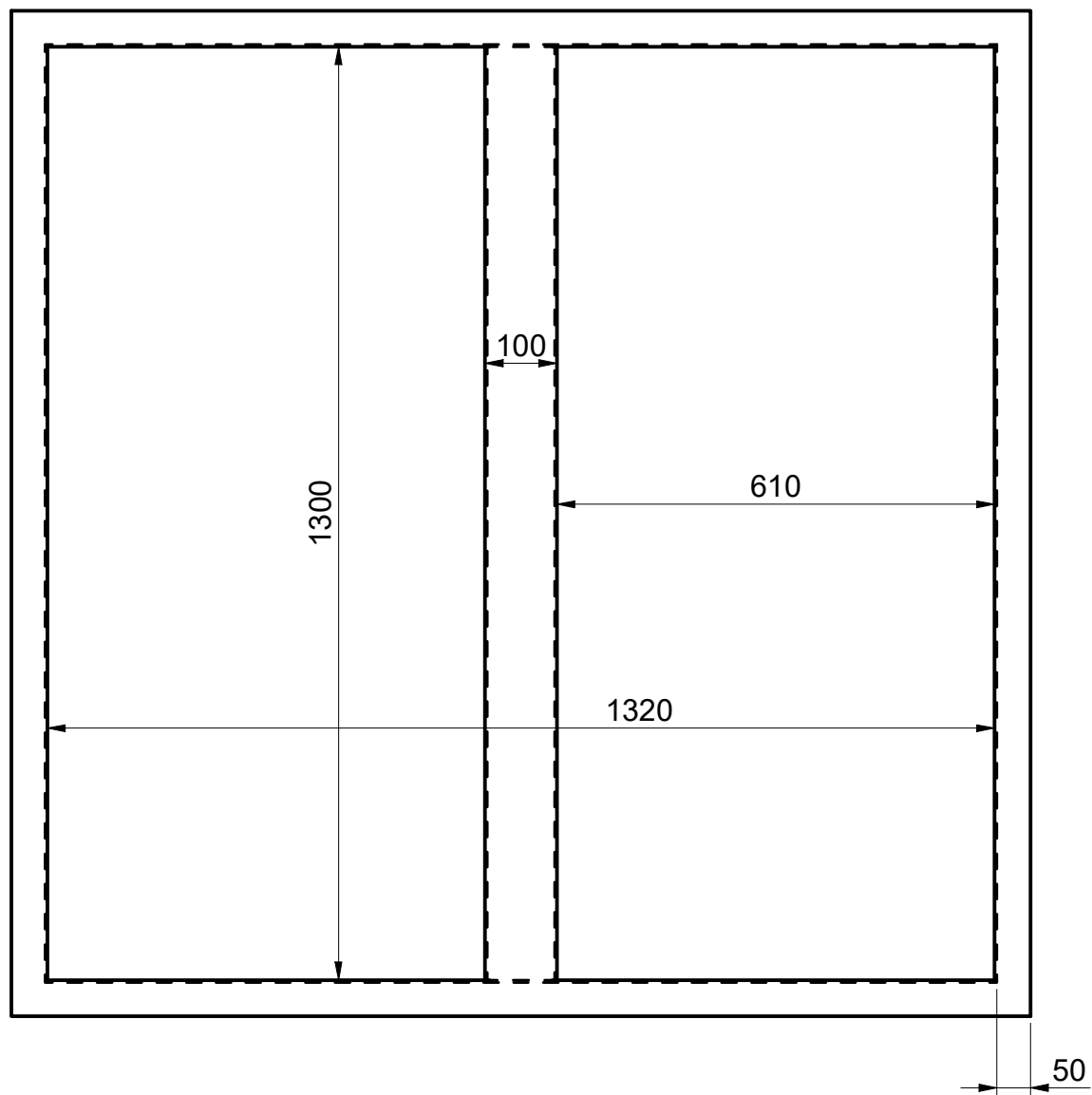


Lages i 3mm plate og 50x30x4 kaldform U-profil.

Projection		Designer	vegardj	Rev.	D	Scale		Title
Project		Date	12.11.2019	Size	A4			
Mass	74 kg							
<b>BNS</b> Fremtiden er i boks								Description
								Nisje_kompressorluft_ut
Sheet		7/9	Dimension		mm	DO NOT SCALE		



Projection		Designer	vegardj	Rev.	D	Scale		Title
Project		Date	13.11.2019	Size				
Mass	7 kg							
<b>BNS</b> Fremtiden er i boks								Description Oppheng filter
Sheet	8/9	Dimension	mm	DO NOT SCALE				



Projection		Designer	vegardj	Rev.	D	Scale		Title
Project		Date	13.11.2019	Size				
Mass	10 kg							
								Description
Sheet	9/9	Dimension	mm	DO NOT SCALE				