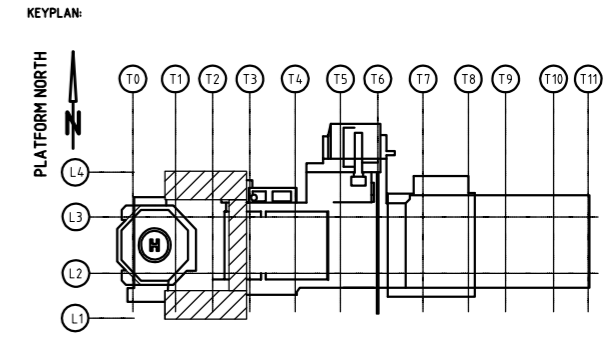
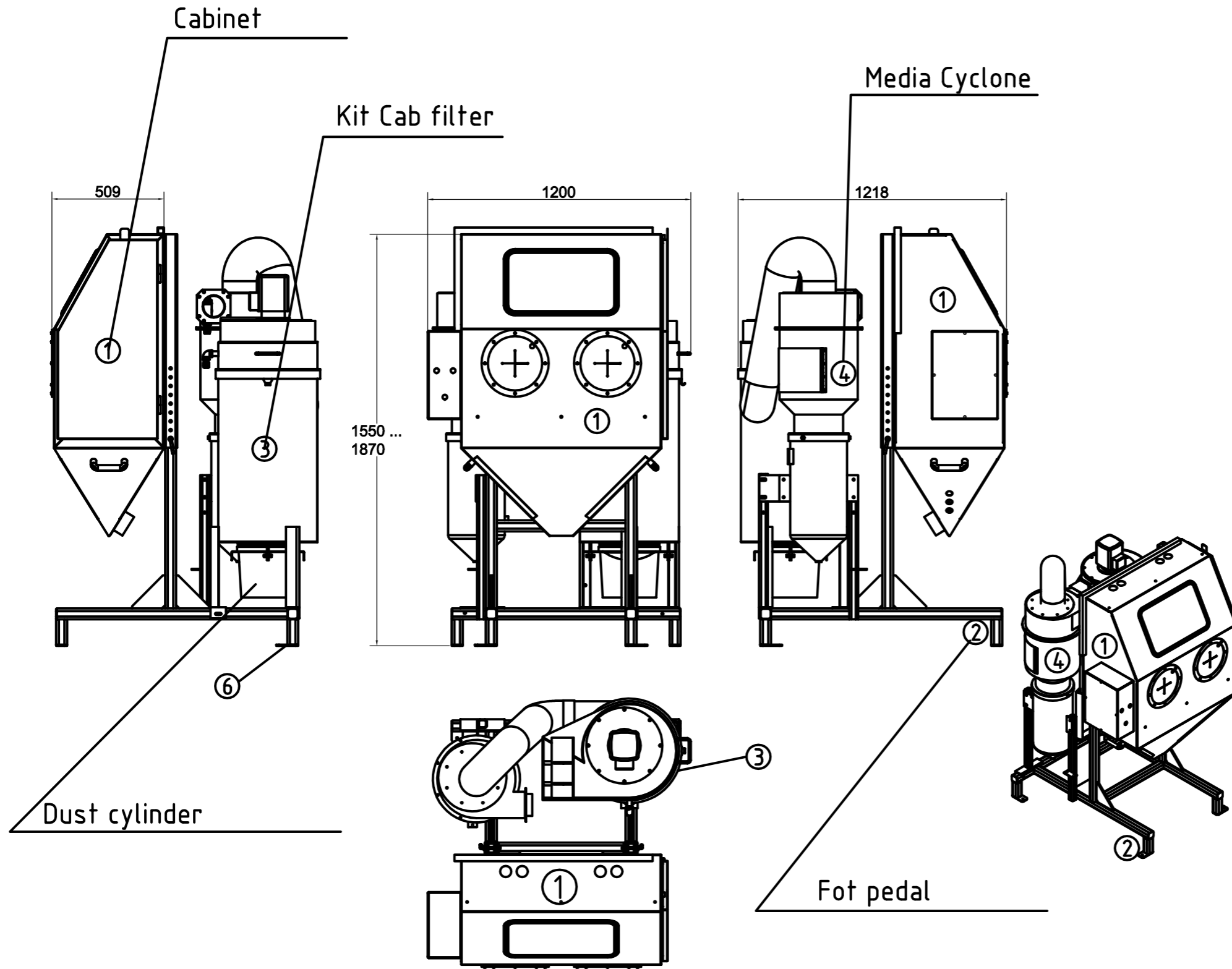


1 2 3 4 5 6 7 8 9 10 11 12

A  
B  
C  
D  
E  
F  
G  
H



Partslst			
Pos.	Qty.	Description	Building no.
1	1	1 Cabinet	ENG-006603
2	1	5 Foot pedal	ENG-008589
3	1	0 Kit-Cab Filter	ENG-002897
4	1	0 Media Cyclone	ENG-006519
5	1	8 Air release	ENG-001722
6	1	Rear Leg	ENG-006632
7	1	Holding Plate	ENG-002195

REV.	ISSUED DATE	DESCRIPTION	MADE BY	CHK'D BY	DISC. APPR.	PROJ. APPR.
04	25.06.09	For Approval			ET	ET
03	29.01.2009	For Approval			ET	ET
02	20.11.2008	For Approval			ET	ET
01	16.06.2008	For Approval			ET	ET

PROJECT DRW. NO. **KT08-90293/10301-GA-BCM**

ACCEPTED	ACC. TO SUPP. START FABRICATION	ACC. W/ COMMENTS	NOT ACCEPTED	ISSUED FOR INFORMATION	INTERFACE INFO ACC. AND FROZEN	SIGN: Tor B Johannesse
<input checked="" type="checkbox"/>	<input type="checkbox"/>	<input type="checkbox"/>	<input type="checkbox"/>	<input type="checkbox"/>	<input type="checkbox"/>	DATE: n

PO NO. 7501 PO TITLE Workshop/Main Store

TAG. NO(S) 78-MX020

SUPPL. DRW. NUMBER **KT08-90293/10301-GA-BCM** SUPPL. REV 04

CONTRACTOR: **LEIFVIK MODULE TECHNOLOGY** SUPPLIER: **KARMOY TRADING AS**

**STATOIL** CONTRACT NO. 4501307523

PROJECT TITLE: **TROLL FUTURE DEVELOPMENT - LQE**

DRAWING TITLE: **BLAST CLEANING MACHINE**

1:1 AT A1	-	-	DRAWING NO. LV-7501-M-MA-003	04
SCALE	SIZE	AREA	CONTR. - PO SEQ. - DISC. - DOC TYP. - SEQ. NO.	REV.

1 2 3 4 5 6 7 8 9 10 11 12